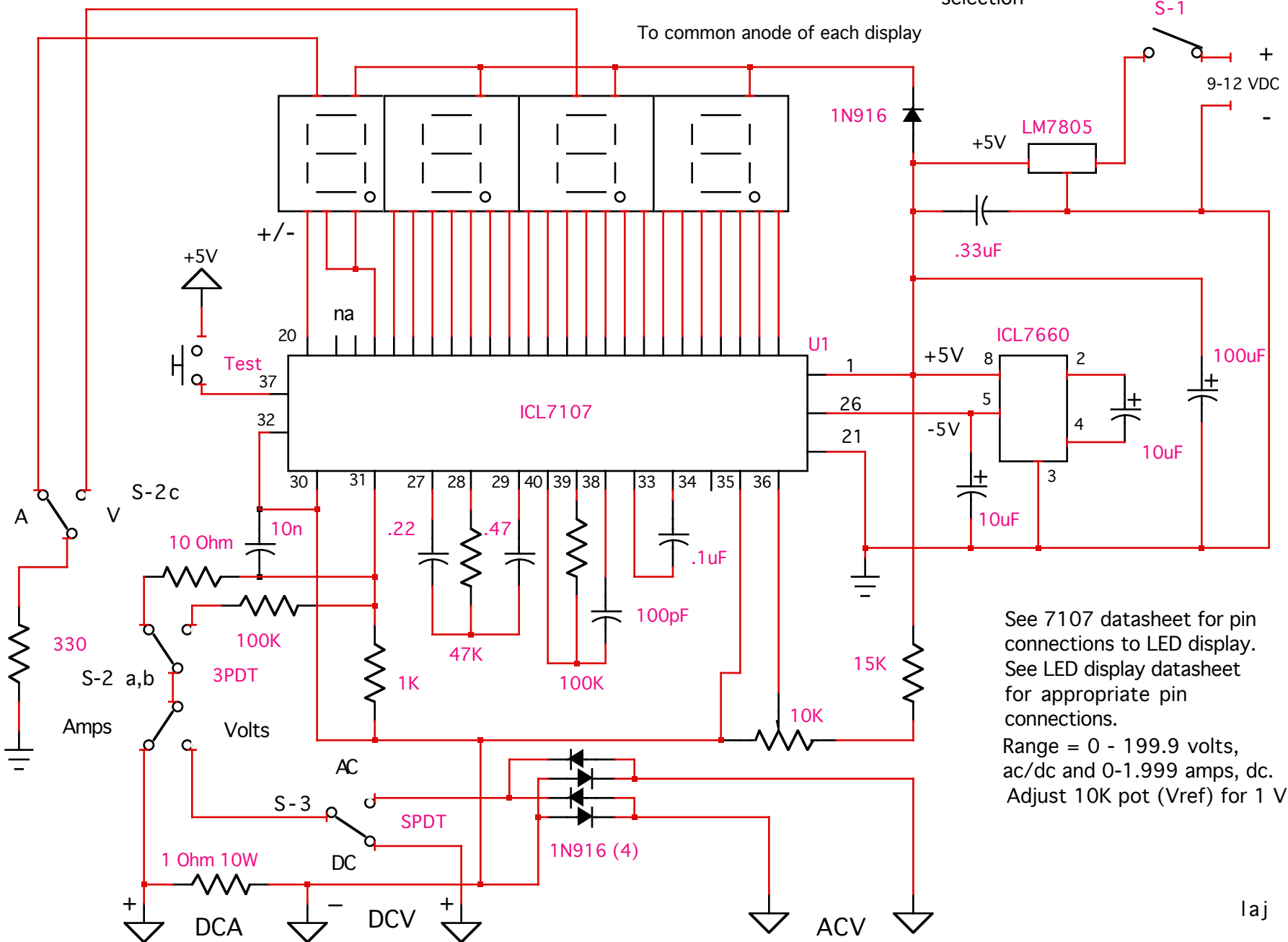


LED Volt/Amp Meter

7 segment common anode LED display (4)



Decimal point selection

See 7107 datasheet for pin connections to LED display.
See LED display datasheet for appropriate pin connections.

Range = 0 - 199.9 volts, ac/dc and 0-1.999 amps, dc.
Adjust 10K pot (Vref) for 1 V.