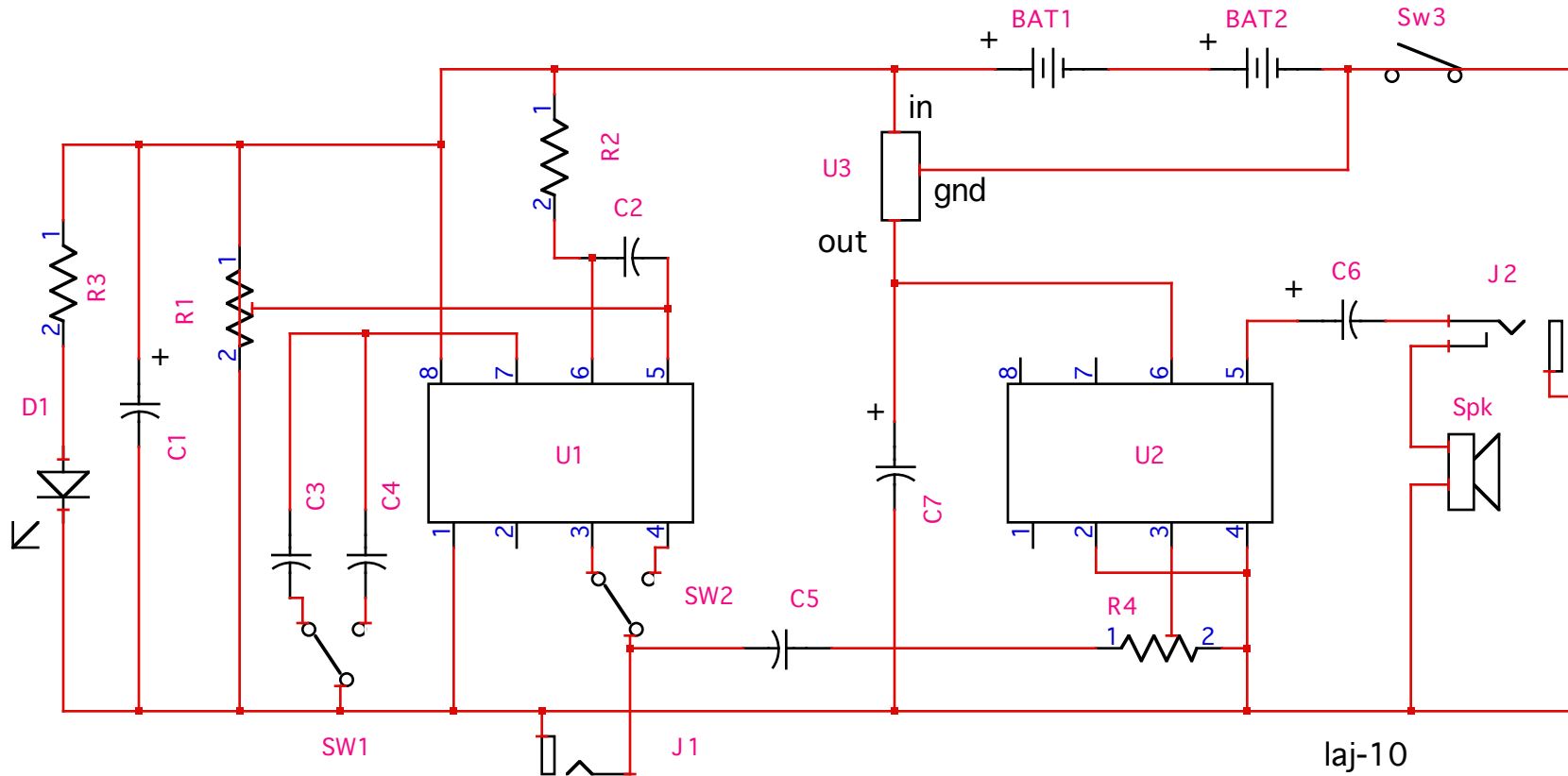


Ultra/Audio Generator



Component Values

R1, R4	10K	C4	.005uf	U3	LM7805	J2	Ext Spk (Switched)
R2	3K3	C5	.01uf	Sw1,Sw2	SPDT	C1, C6, C7 are	
R3	2K2	C6, C7	220uf	SW3	SPST	electrolytic	
C1	470uf	D1	LED	Bat1, 2	9V Bat.	Sw1	Range
C2	.05uf	U1	LM566	Spk	Piezo Speaker	Sw2	Waveshape
C3	.1uf	U2	LM386	J1	Output Jack	R1 =	Frequency