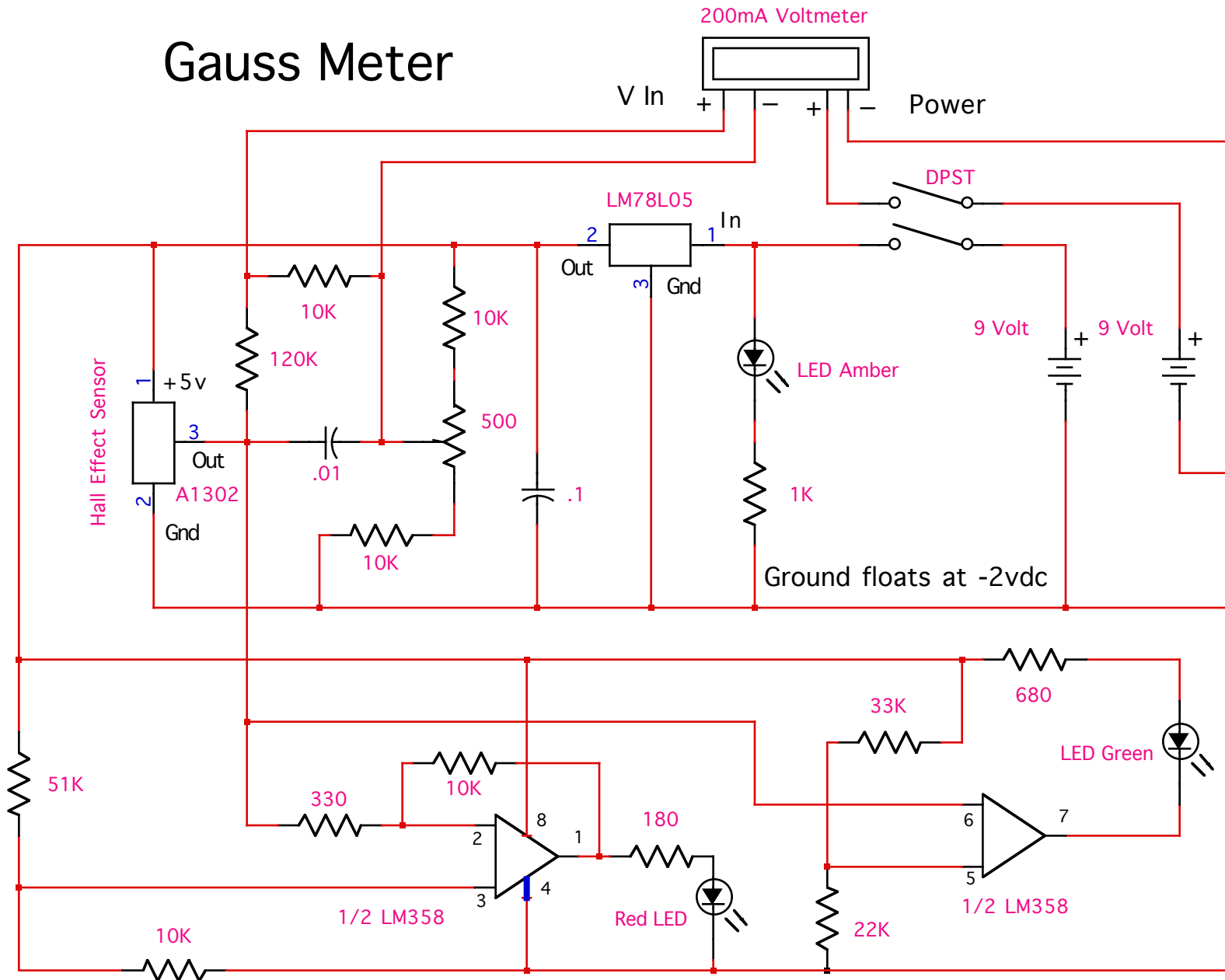


Gauss Meter



The 500 ohm pot adjusts for 0 volts at voltmeter with no magnetic field. Reads 1 -1,999 Gauss. Meter has isolated power.

Iaj