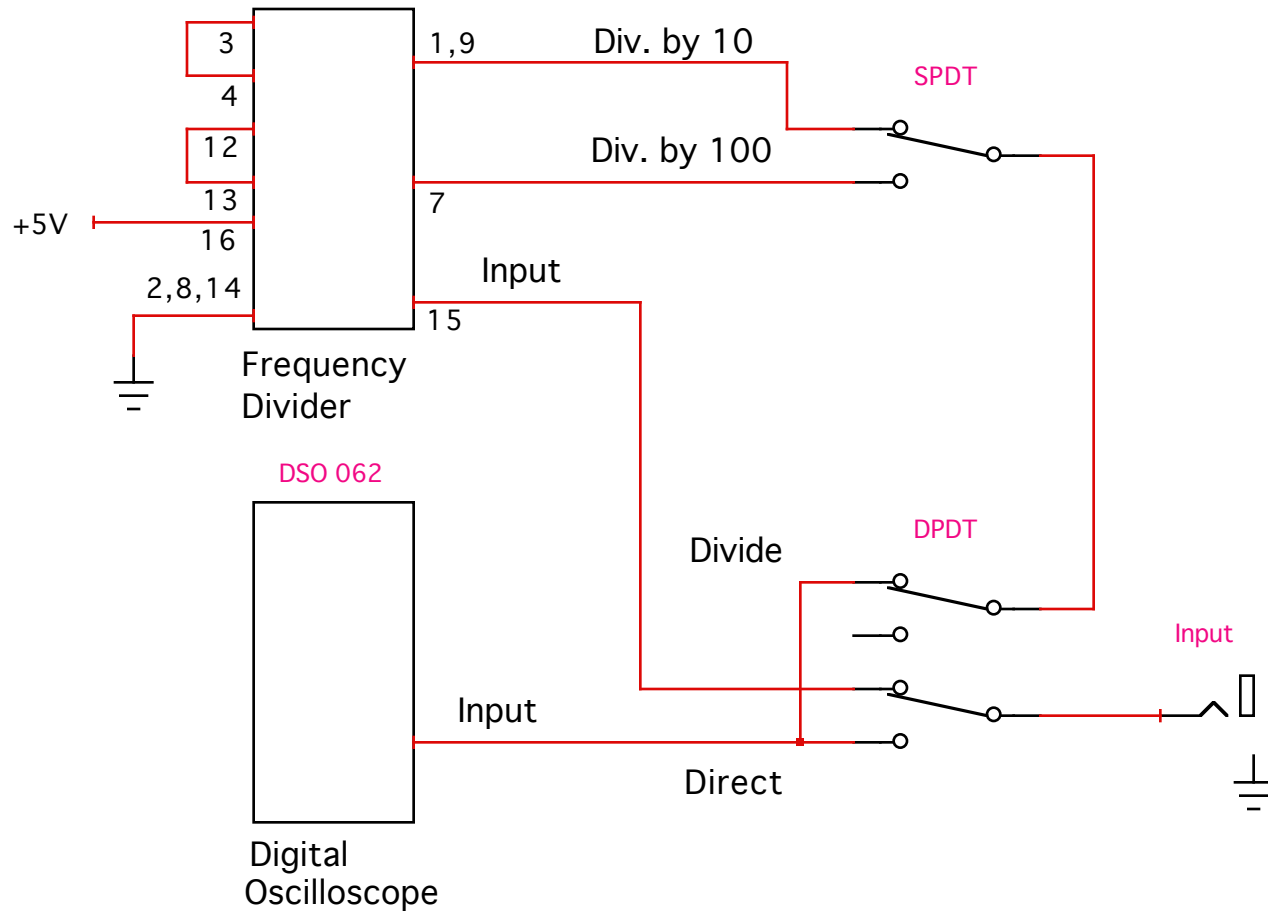


Frequency Divider (74LS390) for Digital Oscilloscope



laj 2012